

5G-FB-01

Product Description

The 5G-FB-01 is a rugged fiberglass antenna of telecom LTE bands and 5G of 3.3 GHz to 4 GHz. With weather-resistant material and omni-directional signal reradiation design, the industrial-grade central screw mount outdoor antenna is easy to install and able to meet both commercial applications and industrial standards.

Highlight

- ✓ Bottom screw mount, easy installation
- ✓ Stainless antenna base.
- ✓ Waterproof, weather-resistant
- ✓ Omni directional reradiation pattern

Applications

- ✓ 3G / 4G / partial 5G-enabled cellular frequencies
- ✓ Machine-to-machine, SCARDA
- ✓ IoT Gateway, routers

Industrial 3G / LTE / 5G Fiberglass Antenna



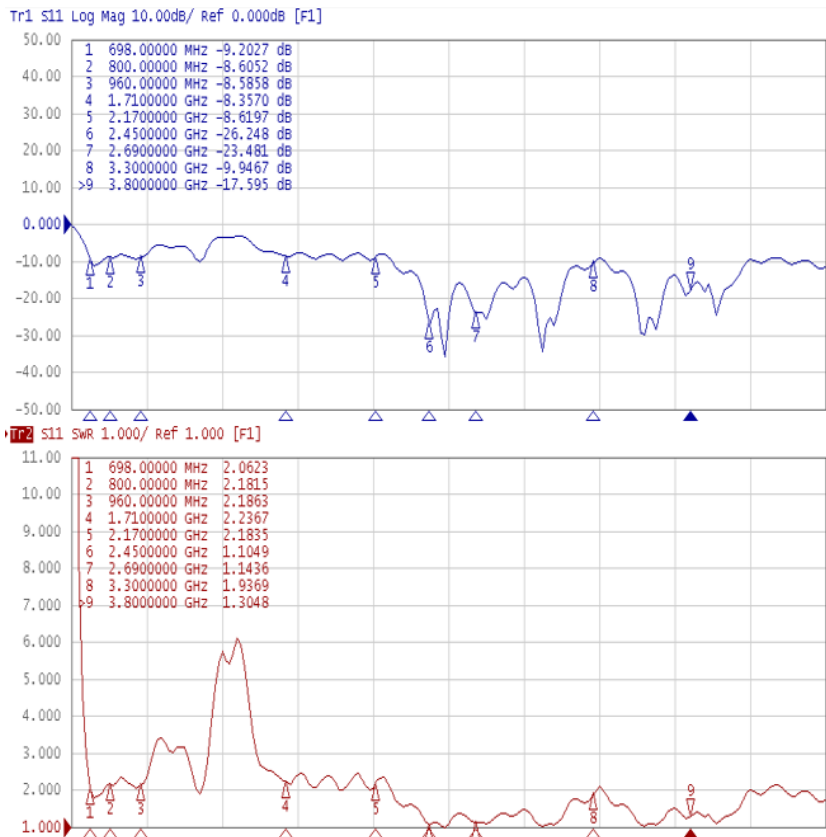
Mechanical Specification

| | |
|-----------------------|-------------------|
| Dimension | 20 (dia.) x 250mm |
| Mounting | Bracket |
| Cable | Optional |
| Connector | N Female Standard |
| Enclosure Material | Fiberglass |
| Operating Temperature | -35°C to 85°C |
| Storage Temperature | -40°C to 85°C |

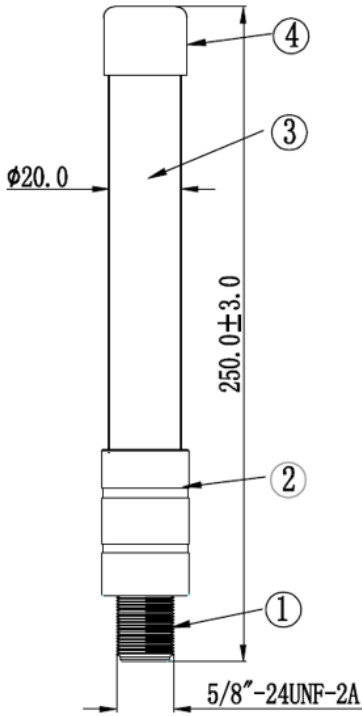
Mechanical Specification

| | |
|-------------------|---|
| Frequency | 698 ~ 960MHz 1,710 ~ 2,700MHz 3,300 ~ 4,000MHz |
| Gain (Peak) | 698 ~ 960MHz: 1.52dBi 1,710 ~ 2,700MHz: 3.10dBi 3,300 ~ 4,000MHz: 2.97dBi |
| Efficiency (Peak) | 698 ~ 960MHz: 75.20% 1,710 ~ 2,700MHz: 87.70% 3,300 ~ 4,000MHz: 84.82% |
| VSWR | < 2.2:1 |
| Impedance | 50Ω |
| Polarization | Omni-Directional |

VSWR & Return Loss



Physical Antenna Drawing



| Serial | Description | Detail | Q'ty |
|--------|--------------------|---------------------|------|
| ① | Connector | N Female Connector | 1 |
| ② | Aluminum Cap | Ø24 x 40mm | 1 |
| ③ | Fiberglass Housing | Ø20 x 210mm / White | 1 |
| ④ | Top Cap | Ø22.1 x 12mm / ABS | 1 |